

TopSolid

Cam



TopSolid'Cam 7.9: a CAD revolution

- Numerous new functions in the Operations Manager
- Machine better with optimized machining trajectories
- Simulation of accessories, management of Andrea heads
- Extended machine and methods functions
- A new and more interactive timing diagram
- Exclusive: an option specifically dedicated to machining complex screws
- Even more freedom in the management of offsets
- New 3D trajectories: isoparametric morphing
- A new wire EDM module: TopSolid'Wire 7

MASTER YOUR
MANUFACTURING PROCESS

Check out the main new features of TopSolid'Cam 7.9

TopSolid'Cam is a leading CAM application thanks to its broad programming capacity in any multi-axis turning, 2-axis milling, 3-axis milling, milling with 4 & 5 positioned axes, 4 & 5 continuous axis milling, interactive synchronizations and complex simulation situations.

2D milling

- > Optimization of trajectories by zone
- > Limitation of up movements
- > Mouse surfacing

3D milling

- > New sweep algorithms by morphing
- > Limitation of up movements
- > New recovery of residual material
- > Better management of negative allowances
- > Contact surfaces

4D, 5D milling

- > Complete machining of conveyor screws
- > Machining of 4 interior axes
- > Open pockets and surfacing

Turning

- > More scenario functionality
- > Management of Andrea heads

Operations Manager

- > Optional or locked operations
- > «Degraded» replay (limited to inter-operations)

Machine

- > Definition of channel advances

Methods

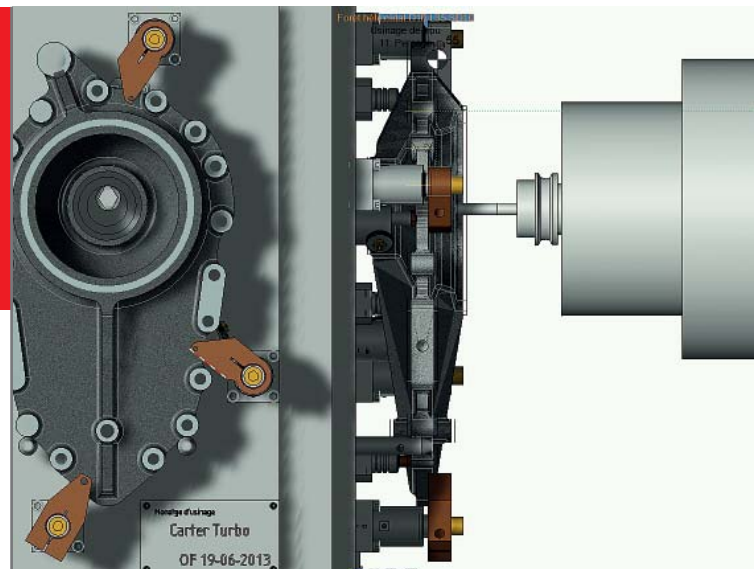
- > Associations with CAD processes
- > Associations of features by color
- > Sorting of optional operations
- > Parameters linked to geometrical analyses

Other

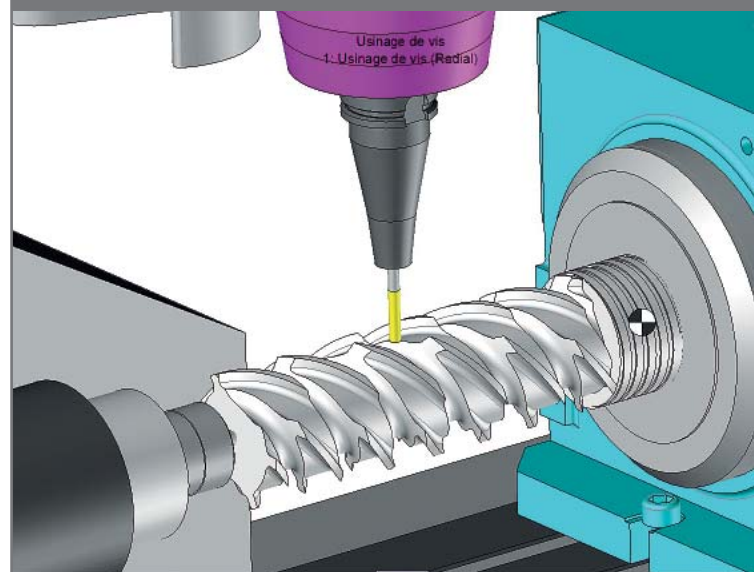
- > Forced frames
- > Local environment management
- > Reworking of simulations
- > Improvement of workshop documents

Wire EDM

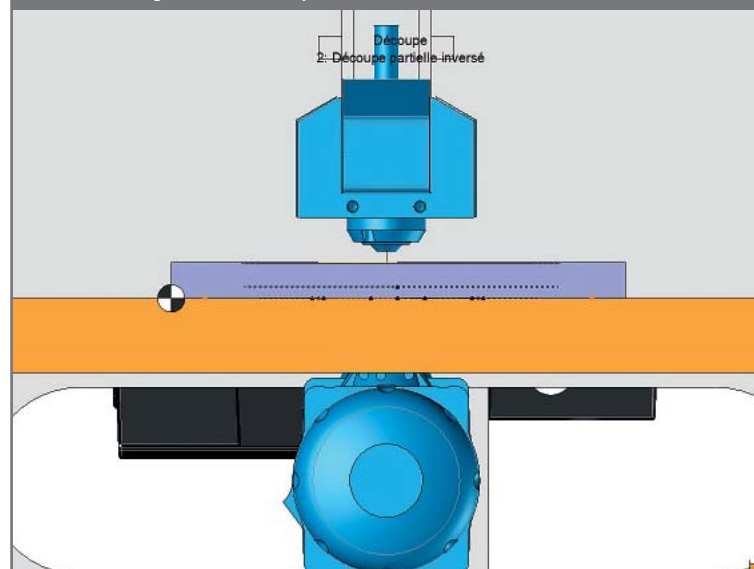
- > Specific wire geometries with threading points and attaches
- > Wire, surface or 3D support
- > Pinion and rack modules available
- > Straight cuts, 4 axes
- > Destroying roughing
- > Corner conditions
- > Specific and configurable strategies
- > Stock update
- > Methods for strategies
- > Integration of EDM expert™



Work in a realistic environment.



New machining model for conveyor screws.



Management of wire machines like you have never seen before.

