



## Revolutionary mechanical CAD with TopSolid 7.7

- Unique management of large assemblies thanks to partial loading
- Exceptional performance thanks to the use of multi-core technology support
- Interoperability with other CAD systems in native format
- Intelligent, powerful and user-friendly ergonomics
- Native PDM to manage your data

# Revolutionary mechanical CAD with TopSolid 7.7

Thanks to its completely new and rewritten architecture, TopSolid®Design 7.7 allows you to go further than with traditional CAD systems. Its new and simplified ergonomics and its exceptional speed will enable you to easily design and generate large assemblies with several thousands of parts. Missler Software's philosophy of offering a complete solution right up to and including the actual programming of the machine tool means that manufacturing considerations are taken into account in the CAD stage.

## 3D sketch

- > Cylindrical and conical helix are now managed in the sketcher to easily define complex spring profiles

## Visualization

- > 3D graphical cut now generates automatic hatching, visualize color and part edges

## Assemblies

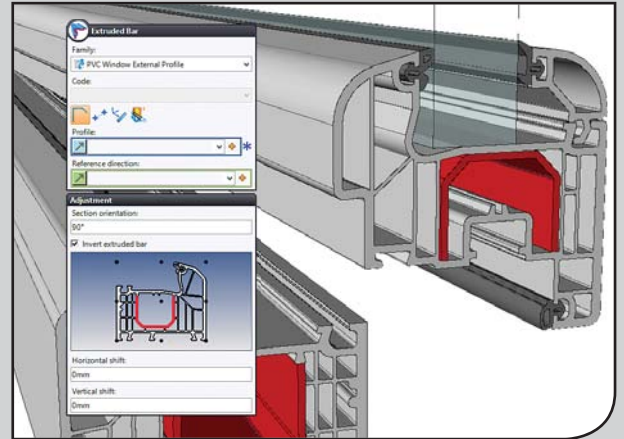
- > Large assemblies management: new "parts" tree to easily manage visibility and part attributes (all screws, all profiles...)
- > Extruded bars : the user can define key points and manage multi-part profiles (aluminium profile + seal for example)

## Piping

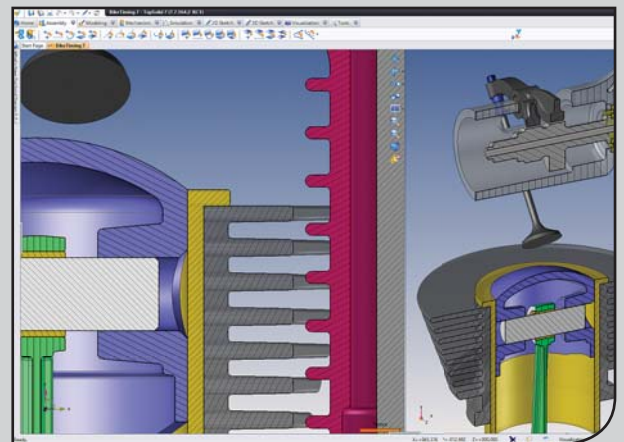
- > New piping design method, with dynamic previews, using the best of spatial sketching
- > New libraries of standard components, tubes, elbows, tees, reducers, flanges (ISO, ANSI, METRIC, MACON, SMS)

## 2D drawing

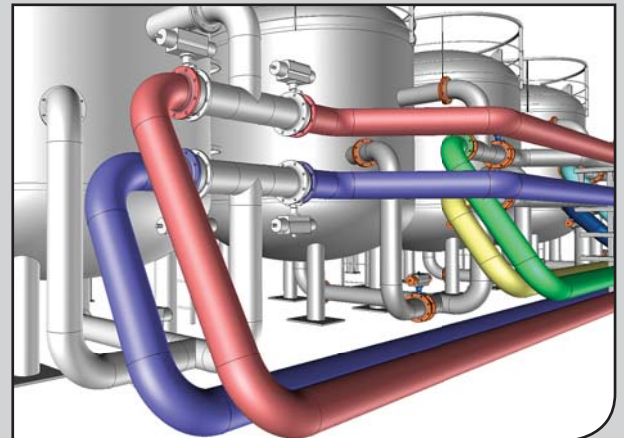
- > Rich text: create texts and notes using a text editor for font, style, colors, parameters, symbols, tolerances, special characters (mathematic or money symbols)
- > Bill of Material parameters: to easily retrieve quantity and BOM's index of a part in its detail drawing



With TopSolid 7.7, you can manage multi-part profile components.



The graphical cut now displays parts colors, with automatic hatching patterns.



Discover the many piping lines design possibilities with TopSolid®Design 7.7.



[www.topsolid.com](http://www.topsolid.com)

MASTER YOUR  
MANUFACTURING PROCESS