

TopSolid

Design



TopSolid 7.9: a CAD revolution

- Improved user interface, quick access to functions
- New completion functions
- The best CAD for sections
- Drafting functions that meet your needs
- New part recognition tools

MASTER YOUR
MANUFACTURING PROCESS

TopSolid 7.9: a CAD revolution

Based on new TopSolid® Design software technologies 7.9 is a significant innovation on the CAD market that makes designing and modifying large assemblies much easier, in an organized and structured environment. The final benefit for users is an estimated 30% gain in productivity compared with conventional approaches. Thanks to Missler Software's philosophy, which extends to the control of the machine tool, manufacturing problems are taken into consideration in the CAD solution.

User Interface

- > Improved keyboard shortcuts (direct access, view rotation, etc.)
- > Improved show/hide function (show only)

Sketch

- > New modes to create BSplines (balanced tangents)
- > Projection of edge paths

Modeling

- > «Filled» surfaces to complete complex holes
- > Draft with root surface, and draft with flat plane
- > Chamfers and fillets with limits

Assembly

- > Multiple cut sections: notch cuts, flat cuts, etc.
- > Sections process to make notches Repetition of component repetitions
- > Creation of «free» parts and assemblies

Families

- > New «Profile» and «Direction» type pilots

Bill of material

- > «Image» column that displays the part
- > Automatic indexing rules (e.g., all screws indexed as Vxx, etc.)

Piping

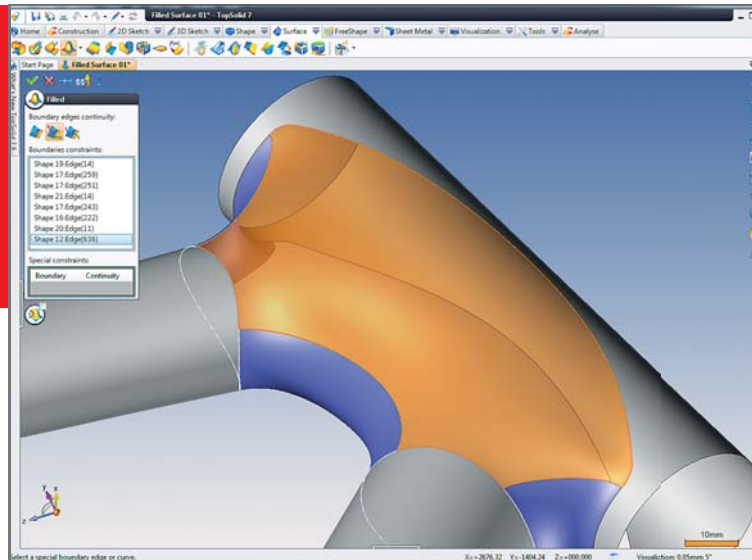
- > Management of curved tubes

Drafting

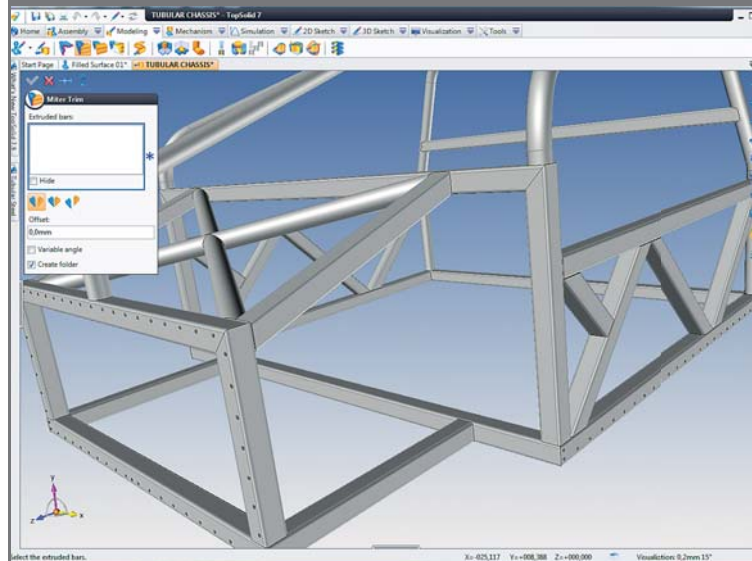
- > Alignment of dimensions
- > Axes with manual direction / Automatic axes on unfolded sheet metal
- > Cut with distance
- > Enriched parts list indexing style
- > Table of dimensions

Panel work

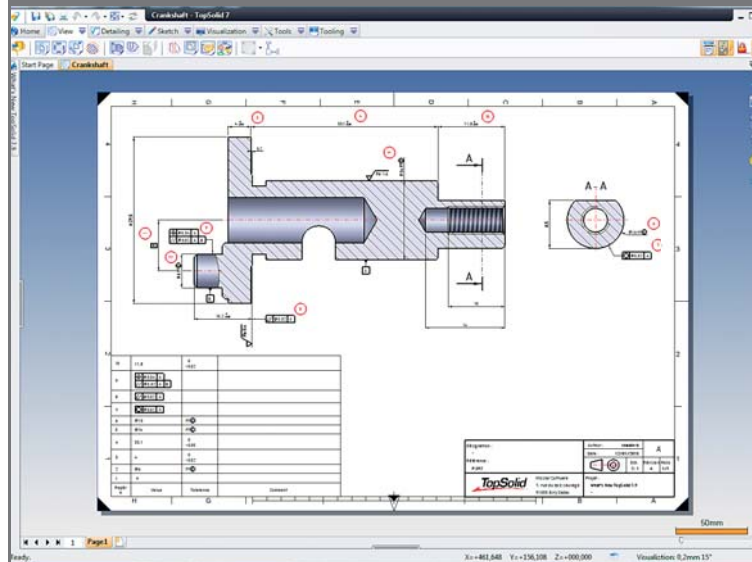
- > Dimensions of unfolded panels without drafting
- > Automatic clearance of folds in flanges
- > Multiple recognition of panels in an imported assembly
- > Multiple unfolding of panels



New «Filled» surfaces to complete complex holes.



Multiple cuts of sections and management of notches between sections.



Possibility to create a dimensions control table in a draft.

